



## WALL 3145 Full-Motion TV Wall Mount (black)

Article number (SKU)  
Colour

8353110  
Black

### Key Benefits

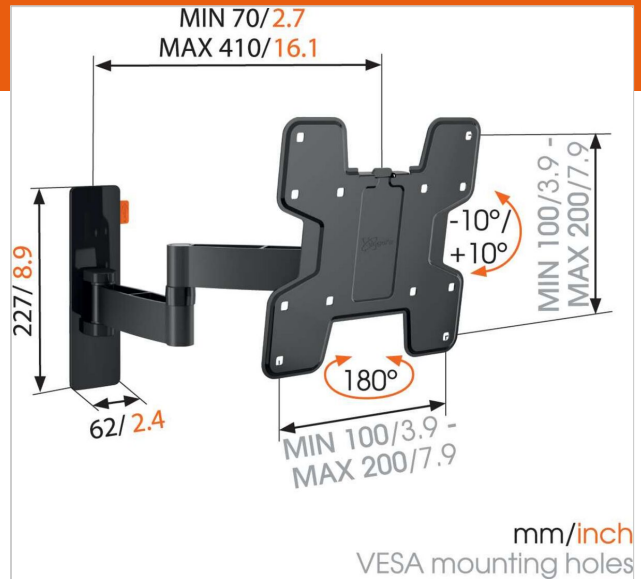
- Simply Smart Value: Great comfort for an affordable price
- Easily level your TV even after installation
- Use the app and mark the first drilling hole easily!
- Tilt (up to  $-10^{\circ}/+10^{\circ}$ ) to avoid reflections
- Guide your cables

### TV bracket with turning function for TVs up to 15 kg

The WALL 3145 full motion TV bracket has a maximum weight capacity of 15 kg. Almost any model of TV, from 19" to 43" (48-109 cm), can be mounted on the wall with the WALL 3145. The maximum turning angle is  $180^{\circ}$  and the max. tilting angle is  $20^{\circ}$ . Also available in white.

### Your TV moves in all directions

Mount your TV on the wall with a full motion WALL TV bracket for the best view of your TV from anywhere in the room. You simply turn the TV towards you. You never again have to worry about annoying reflections. With the WALL full-motion wall mount, you can turn your TV to any desired position.



## WALL 3145 Full-Motion TV Wall Mount (black)

[www.vogels.com](http://www.vogels.com)



VOGEL'S HOLDING BV 2019 (c) All rights reserved.  
Subject to printing errors, technical and price amendments.  
Date: 2019-06-25

## Specifications

Product type number	WALL 3145
Article number (SKU)	8353110
Colour	Black
EAN single box	8712285335327
Product size	S
TÜV certified	Yes
Tilt	Tilt -10°/+10°
Turn	Full motion (up to 180°)
Guarantee	Lifetime
Min. screen size (inch)	19
Max. screen size (inch)	43
Max. weight load (kg)	15
Max. bolt size	M8
Max. height of interface (mm)	301
Max. width of interface (mm)	302
Cable management	Cable clip
Max. distance to the wall (mm)	410
Min. distance to the wall (mm)	70
Number of pivot points	3
Universal or fixed hole pattern	Fixed
What's in the box	<ul style="list-style-type: none"> <li>• Mounting instructions</li> <li>• TV mount guide app</li> <li>• TV mounting kit</li> <li>• Wall mount</li> <li>• Wall mounting kit</li> <li>• Cable clip</li> </ul>



**Lifetime guarantee**  
Safety tested at 3 times  
max weight

