



EPC 6545 Projector Ceiling Mount

Article number (SKU)
Colour

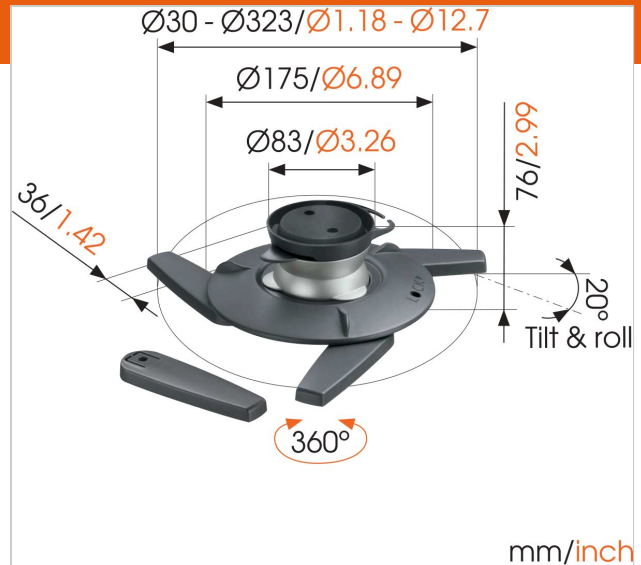
8027454
Silver

Key Benefits

- Easy to place and remove with a single click
- Lock the projector into position
- Position your projector wherever you desire

The EPC 6545 Ceiling Mount lets you mount your projector to the ceiling. You can easily position your projector and secure it to maintain a stable image while viewing. It comes with the universal Projector Connector that fits virtually every projector weighing up to 10 kg.

Now you can easily project an image on any screen or wall. The unique spherical hinge joint has a huge range of movement so you can position your projector wherever you desire. With the Adjust & Secure feature you can lock the projector into position. You can easily conceal your cables with the cable inlay system. When not in use, simply remove your projector and hide the cables and support from sight using the ceiling cover provided.





EPC 6545 Projector Ceiling Mount

www.vogels.com

VOGEL'S HOLDING BV 2019 (c) All rights reserved.
Subject to printing errors, technical and price amendments.
Date:2021-05-10

Specifications

Product type number	EPC 6545
Article number (SKU)	8027454
Colour	Silver
EAN single box	8712285311420
TÜV certified	Yes
Tilt	Tilt up to 20°
Turn	Up to 360°
Guarantee	10 years
Max. weight load (kg)	10
Max. distance to ceiling (mm)	76
Roll	20
What's in the box	• Mounting instructions
Awards	Goed Industrieel Ontwerp Award 2015 iF Product Design Award

